

E10..

■ NTC sensors, adjusters & displays for use with ETE.. Electronic Thermostats / Thermometers & E13.. Temperature Controllers.

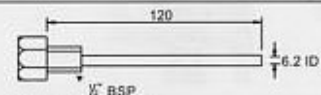
Enclosure Flammability:  
E10- D, I, S, X = UL94-V0  
E10- H, R, V = UL94-HB  
E10-T = UL94-V2



Τύπος	Φυνήσιον	Δεσφρλιπιον	Διμενοιονα	Προτεχου
<b>E10-B</b>	Bead sensor	With 2 way terminal strip	-	IP00
<b>E10-C</b>	Cable sensor	With 2m cable	Sensor 7.1 mm dia x 40	IP65
<b>E10-D</b>	Duct sensor	Probe length 160mm	Approx 80 dia x 55	IP65
<b>E10-DA</b>	Duct Averaging	Probe length 160mm (use 2 x E10-DA for averaging)	Approx 80 dia x 55	IP65
<b>E10-GS</b>	Thimble sensor	Stainless Brushed Satin with 200mm cable. Drill hole 12 dia.	Dome dia 15 x 16.5 L	IP30
<b>E10-GB</b>	Thimble sensor	Brass with 200mm cable. Drill hole 12 dia.	Dome dia 15 x 16.5 L	IP30
<b>E10-GW</b>	Thimble sensor	White with 200mm cable. Drill hole 12 dia. Other colours on request	Dome dia 15 x 16.5 L	IP30
<b>E10-H</b>	Black bulb sensor	For radiant tube heaters	85H x 85W x 30D + bulb 16 mm	IP30
<b>E10-I</b>	Immersion sensor	<b>ORDER POCKET SEPARATELY</b> Probe length 120mm	Approx 80 dia x 55	IP65
<b>E10-K</b>	Fan coil sensor	With duct flange & 2m cable	Duct tube 80mm long	IP65
<b>E10-R</b>	Room sensor	Can be mounted on square or round outlet box.	85H x 85W x 30D	IP30
<b>E10-RA</b>	Room sensor	As E10-R (use 2 x E10-RA for averaging)	85H x 85W x 30D	IP30
<b>E10-S</b>	Strap-On sensor	Includes fixing strap for up to 6" dia. Pipe. 2m cable	Approx 80 dia x 55	IP65
<b>E10-V</b>	Room sensor + Knob	With knob adj ±4°C above & below main set point knob setting	85H x 85W x 30D + knob	IP30
<b>E10-X</b>	Outside sensor	Weatherproof	Approx 80 dia x 55	IP65
<b>E10-P50</b>	Setpoint adjuster	-10/+50°C Front panel mounting	48H x 48W	
<b>E10-P95</b>	Setpoint adjuster	25/95°C Front panel mounting	48H x 48W	
<b>E10-P4</b>	Setpoint adjuster	±4°C Front panel mounting. For minor adjustment of main set point knob setting	48H x 48W	
<b>E10-T</b>	Digital display	Selectable -10/+50°C or 25/95°C 230VAC supply. Front panel mounting 48H x 96W x 104D Only for use with ETE.. Thermostats or E13.. Temperature Controllers	Panel cut-out 44H x 91W	IP00
<b>OPTIONAL E10-T.. ONLY</b>		<b>L24 = 24VAC supply</b>		

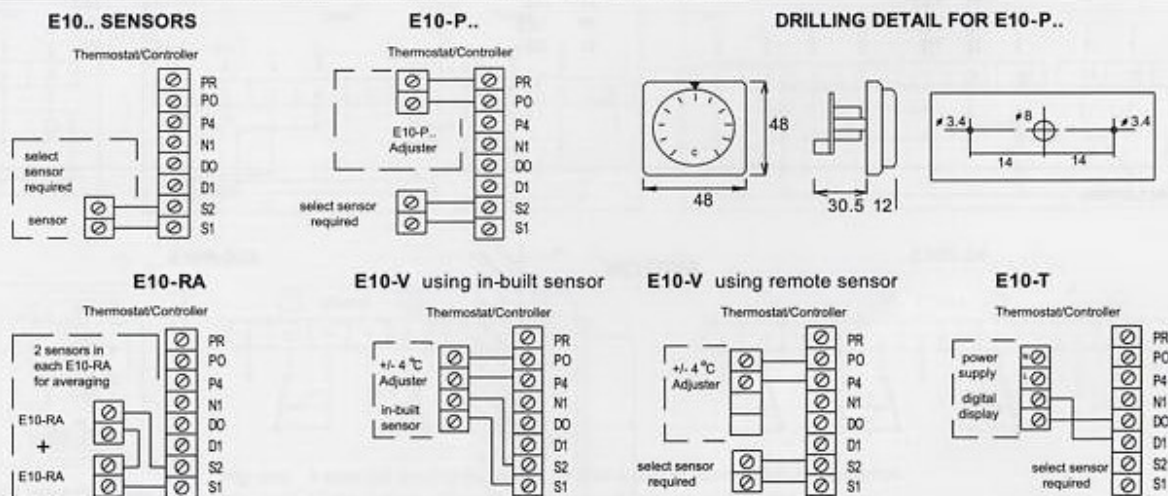
Temperature °C:	-10	-5	0	5	10	15	20	25	30	35	40	45	50	55	60	65	70	75	80	85	90	95
Resistance KΩ:	54	40	30	25	20.5	15.2	12	10	7.8	6.2	5	4	3.3	2.7	2.2	2	1.6	1.4	1.1	1	0.9	0.8

**ACCESSORIES:** **EE-2B** ½" BSP x 120mm Brass pocket for E10-I  
**EE-STK** ½" BSP x 120mm Stainless Steel pocket for E10-I



Special Face Plates are available in Brass, White, Satin and others on request  
Sensors with adjustment and fan speed switch are available on request.

**WIRING:**



**INSTALLATION:** Terminals 0.5 -2.5mm<sup>2</sup> Sensor cable size 7/0.2mm Keep away from power cables/units which may cause interference. Max length 100m. Screened cable is recommended. The screen should be earthed at the controller end only.